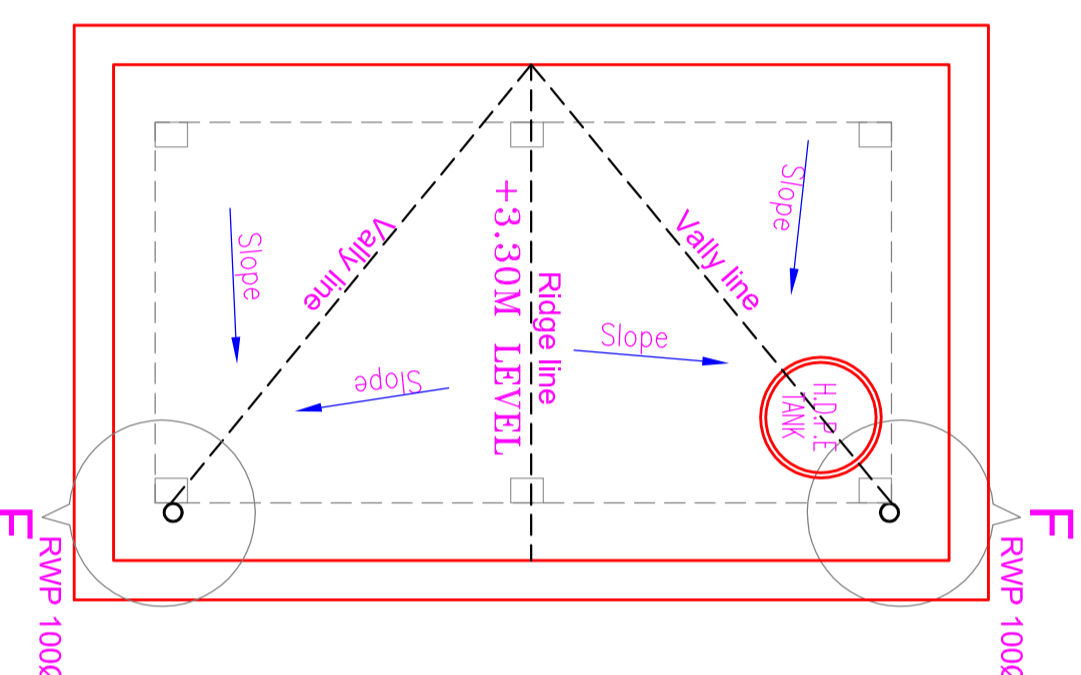
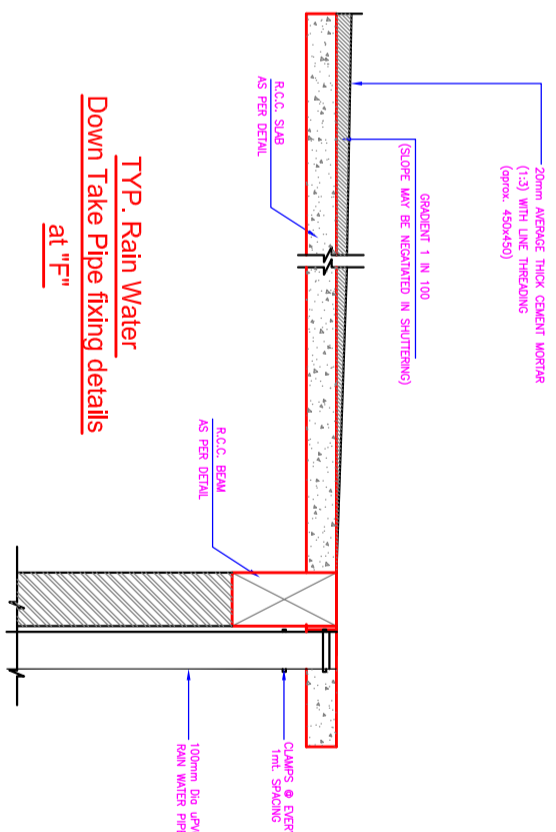


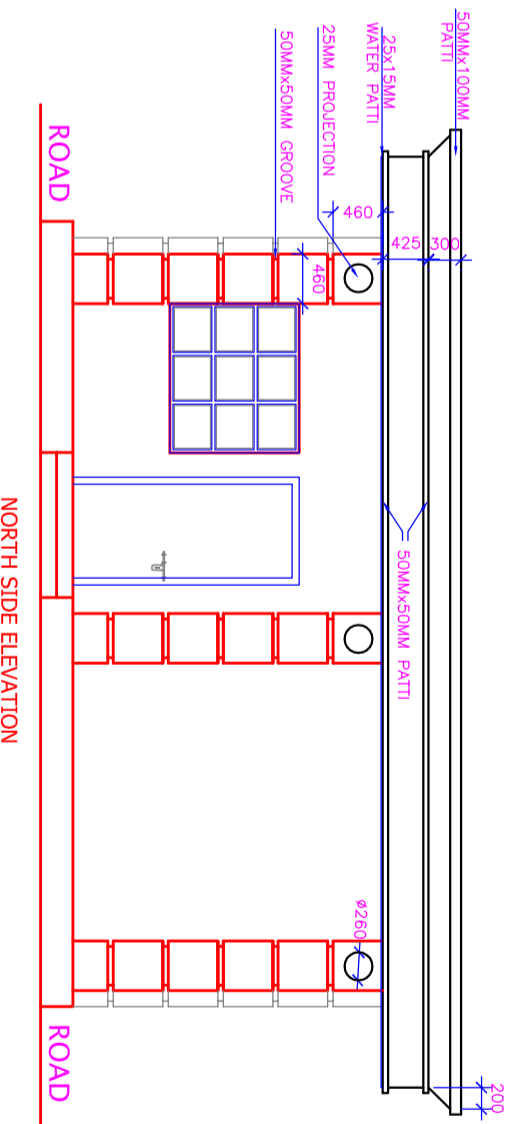
PLAN



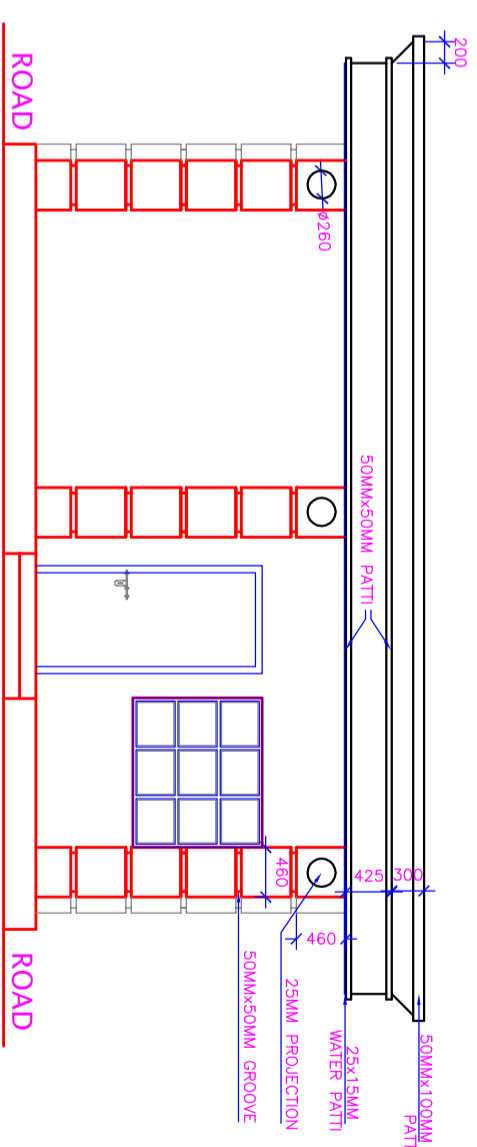
TERRACE FLOOR PLAN



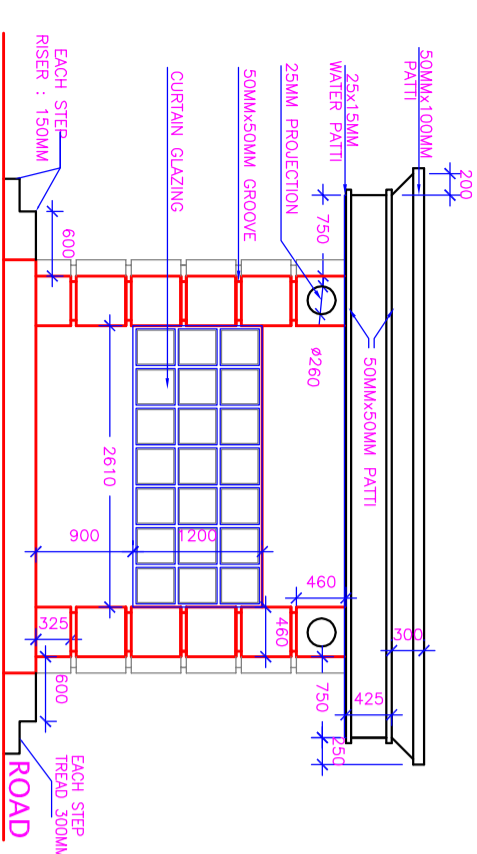
TYP. Rain Water Down Take Pipe fixing details at 'F'



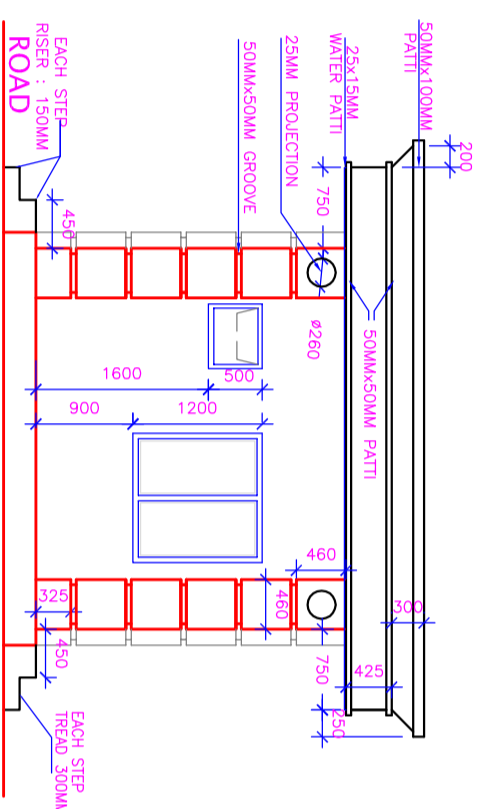
NORTH SIDE ELEVATION



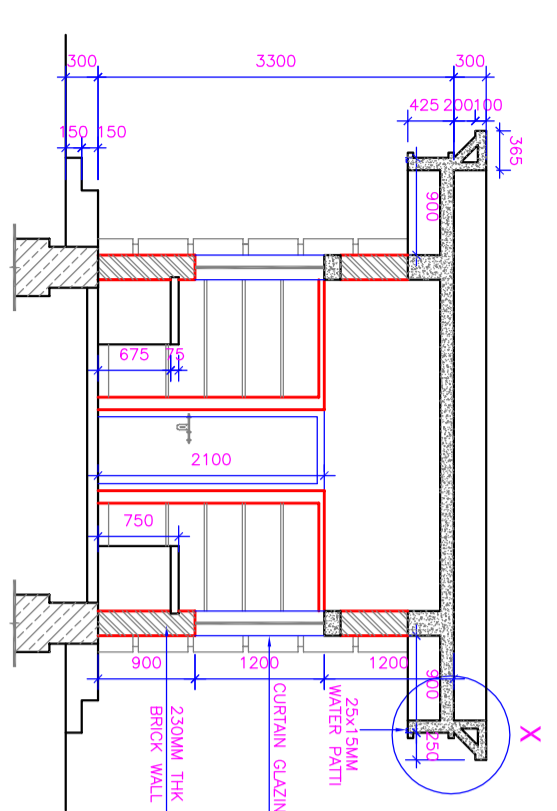
SOUTH SIDE ELEVATION



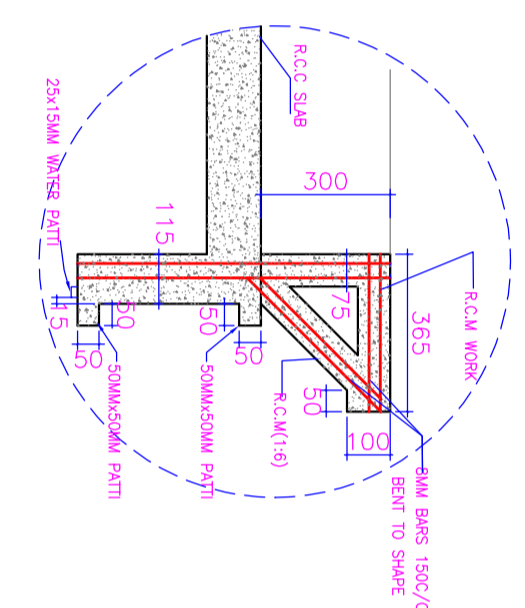
FRONT ELEVATION



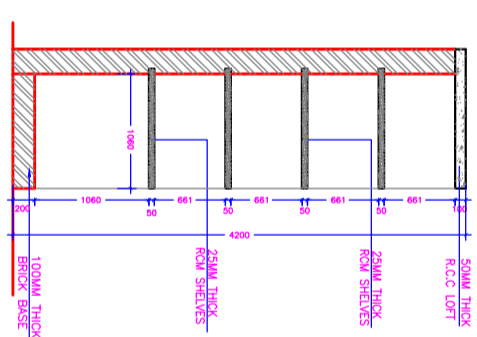
REAR ELEVATION



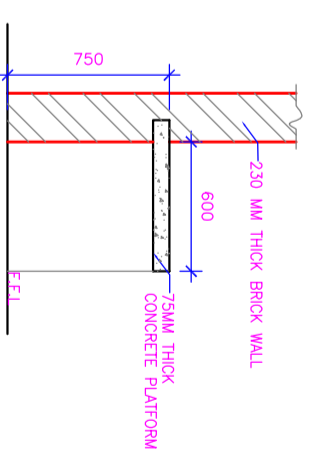
SECTION AT X-X'



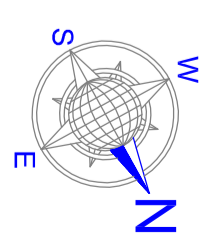
DETAIL 'X''



SECTION AT Z-Z'



SECTION AT Y-Y'



JOINERY SCHEDULE

ITEM	TYPE	SIZE	NO.S
WOODEN DOOR	WD3	1000x2100	2
WOODEN DOOR	WD5	750x2100	2
PPE PAINTED STEEL WINDOWS	PW6	1200x1200	1
PPE PAINTED STEEL VENTILATOR	PV2	600x500	1
CURTAIN GLAZING	CG1	2610x1200	1
CURTAIN GLAZING	CG2	1380x1200	2

FLOORING, SKIRTING & DADOING DETAILS

ROOM	FLOORING	SKIRTING	DADOING
ENTRANCE STAIRS	POLISHED SHANSHAN STONE	-	-
SECURITY	POLISHED SHANSHAN STONE	-	-
REST ROOM	POLISHED SHANSHAN STONE	-	-
TOILET	CEMENT POLISHED STONE	-	-

AREAS

SECURITY AREA	AREA
SECURITY AREA	24.20 Sq.M

ARCHITECTURAL WORKING DRAWING

Project : RAJIV GANDHI INSTITUTE OF MEDICAL SCIENCES (RIMS) AT ADILABAD, T.S.

Title : SECURITY BUILDING PLANELEVATIONS,SECTIONS & DETAILS

Client : TELANGANA MEDICAL SERVICES INFRASTRUCTURE DEVELOPMENT CORPORATION (An Enterprise of Government of Telangana) DM & HS CAMPUS SULTAN BAZAR, KOTI, HYDERABAD.

Consultants : S.S.CONSULTANTS

PROJECT CONSULTANTS #17&9, JABBAR BUILDINGS, BEGUNPET, HYDERABAD-16 PH: 66310240, 66310954 FAX: NO. 040-66312949 email: sscs17and9@hotmail.com sscs17and9@rediffmail.com

DATE : 19-11-2007 SCALE : 1:50 DRAWN BY : RATNAKRBAMA DESIGNED BY : N.V.S.RAO CHKD BY : S.S.RAO

DWG.NO--SS/7/MS/DC/ADILABAD/ANGULARY BUILDINGS/SECURITY-11

COPY RIGHT OF THIS DRAWING BELONGS TO M/S. S.S. CONSULTANTS AND SHOULD NOT BE USED FOR ANY PURPOSE OTHER THAN SPECIFIED WITHOUT PRIOR PERMISSION.

NOTES

1. ALL DIMENSIONS ARE IN METRES AND MILLIMETRES, UNLESS OTHERWISE MENTIONED IN THE DRAWING.
2. CORRELATE WITH THE RELEVANT DRAWINGS FOR THE NECESSARY DETAILS.
3. ANY DISCREPANCY SHALL BE BROUGHT TO THE NOTICE OF CONSULTANTS.